

# ONKYO SERVICE MANUAL

6.1ch SPEAKER SYSTEM for HT-S760  
**MODEL SKS-HT200**  
 SKW-200 / SKF-200F / SKC-200C / SKM-200S/SKB-200



DD	120V AC, 60Hz
----	---------------

## SAFETY-RELATED COMPONENT WARNING!!

COMPONENTS IDENTIFIED BY MARK  $\triangle$  ON THE SCHEMATIC DIAGRAM AND IN THE PARTS LIST ARE CRITICAL FOR RISK OF FIRE AND ELECTRIC SHOCK. REPLACE THESE COMPONENTS WITH ONKYO PARTS WHOSE PART NUMBERS APPEAR AS SHOWN IN THIS MANUAL.

MAKE LEAKAGE-CURRENT OR RESISTANCE MEASUREMENTS TO DETERMINE THAT EXPOSED PARTS ARE ACCEPTABLY INSULATED FROM THE SUPPLY CIRCUIT BEFORE RETURNING THE APPLIANCE TO THE CUSTOMER.

## SPECIFICATION

### SKW-200

Type	Bass-reflex with built-in power amplifier
Frequency response	27 Hz-150 Hz
Output power	150 W Dynamic
Input sensitivity	220 mV
Input impedance	15 k $\Omega$
Woofers	8-inch cone type
Power supply	AC 120 V, 60 Hz
Power consumption	75 W
Dimensions (W×H×D)	10-13/16" × 20-3/8" × 16-3/16" / 275 × 518 × 411 mm
Weight	30.0 lbs. / 13.6 kg

Specifications and appearance may subject to change for improvement without prior notice.

## SPECIFICATION

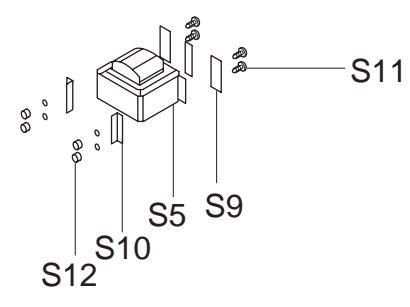
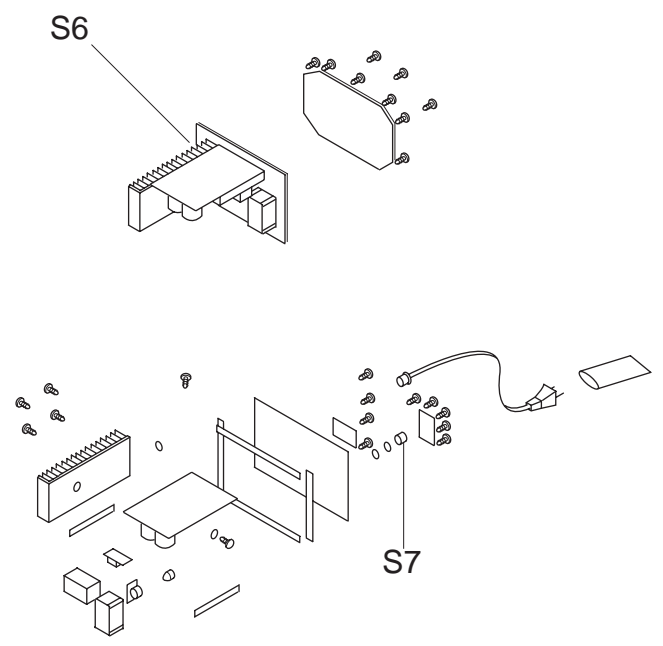
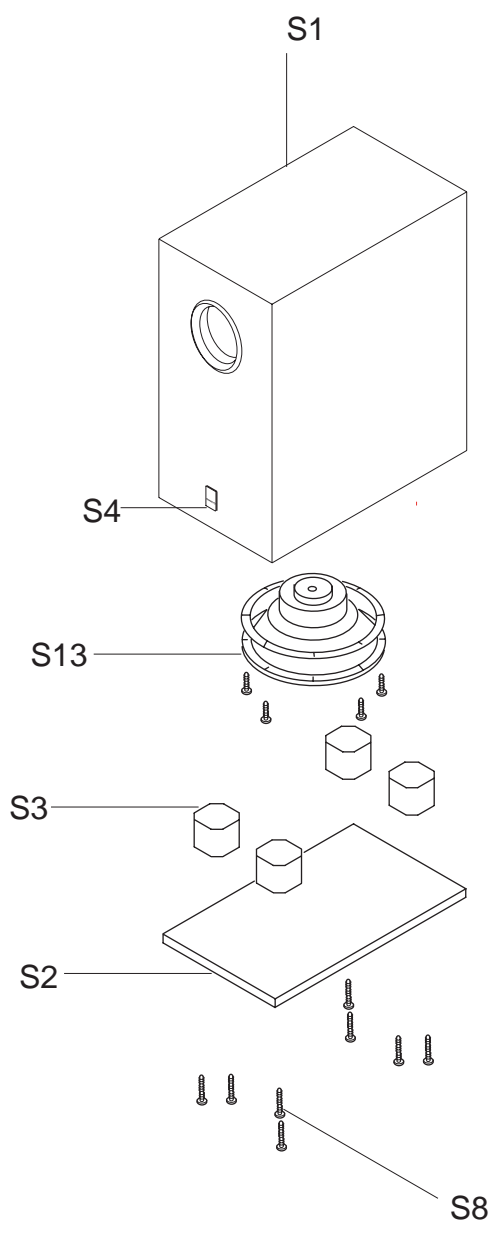
<b>Model</b>	<b>SKF-200F</b>
Type	2 way Bass-reflex front speaker
Impedance	8 $\Omega$
Maximum input power	100 W
Output sound pressure level	86 dB/W/m
Frequency response	55 Hz-35,000 Hz
Woofers	5-1/4-inch cone type $\times$ 2
Tweeter	1-inch balanced dome type
Dimensions (W $\times$ H $\times$ D)	7-7/16" $\times$ 16-1/2" $\times$ 9-1/4" / 189 $\times$ 419 $\times$ 235 mm
Weight	11.7 lbs. / 5.3 kg
Others	Magnetic shielding Removable grille
<b>Model</b>	<b>SKC-200C</b>
Type	2 way Bass-reflex center speaker
Impedance	8 $\Omega$
Maximum input power	100 W
Output sound pressure level	85 dB/W/m
Frequency response	65 Hz-35,000 Hz
Woofers	4-inch cone type $\times$ 2
Tweeter	1-inch balanced dome type
Dimensions (W $\times$ H $\times$ D)	15-1/4" $\times$ 6-3/16" $\times$ 7-13/16" / 387 $\times$ 157 $\times$ 199 mm
Weight	7.9 lbs. / 3.6 kg
Others	Magnetic shielding
<b>Model</b>	<b>SKM-200S</b>
Type	2 way Bass-reflex surround speaker
Impedance	8 $\Omega$
Maximum input power	100 W
Output sound pressure level	82 dB/W/m
Frequency response	65 Hz-35,000 Hz
Woofers	4-inch cone type
Tweeter	1-inch balanced dome type
Dimensions (W $\times$ H $\times$ D)	6-15/16" $\times$ 10-7/16" $\times$ 4-15/16" / 175 $\times$ 265 $\times$ 125 mm
Weight	4.0 lbs. / 1.8 kg
<b>Model</b>	<b>SKB-200</b>
Type	2 way Bass-reflex surround back speaker
Impedance	8 $\Omega$
Maximum input power	100 W
Output sound pressure level	82 dB/W/m
Frequency response	65 Hz-35,000 Hz
Woofers	4-inch cone type
Tweeter	1-inch balanced dome type
Dimensions (W $\times$ H $\times$ D)	6-15/16" $\times$ 10-7/16" $\times$ 4-15/16" / 175 $\times$ 265 $\times$ 125 mm
Weight	4.0 lbs. / 1.8 kg

Specifications and appearance may subject to change for improvement without prior notice.

A B C D

EXPLODED VIEW  
SKW-150

1  
2  
3  
4  
5



A

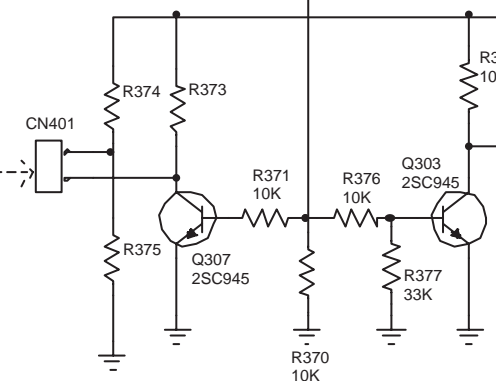
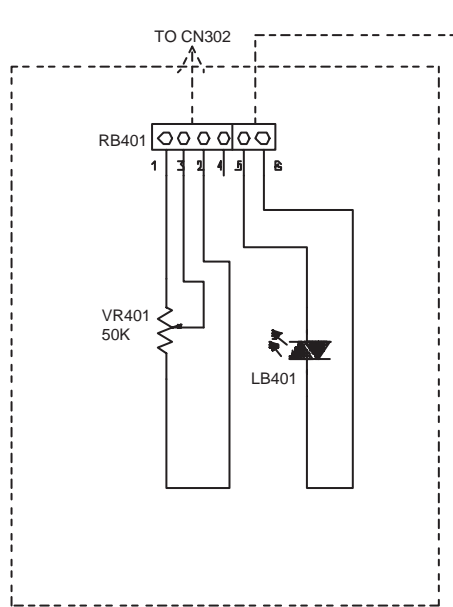
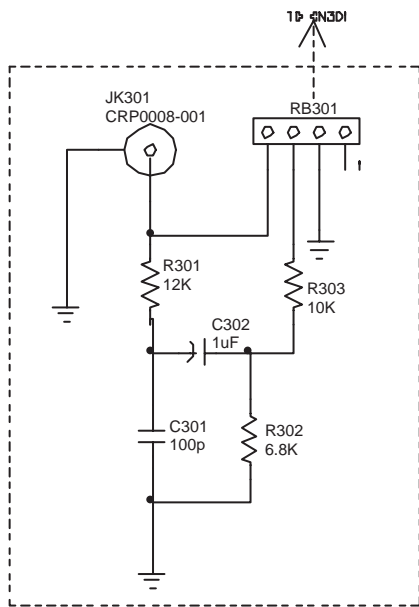
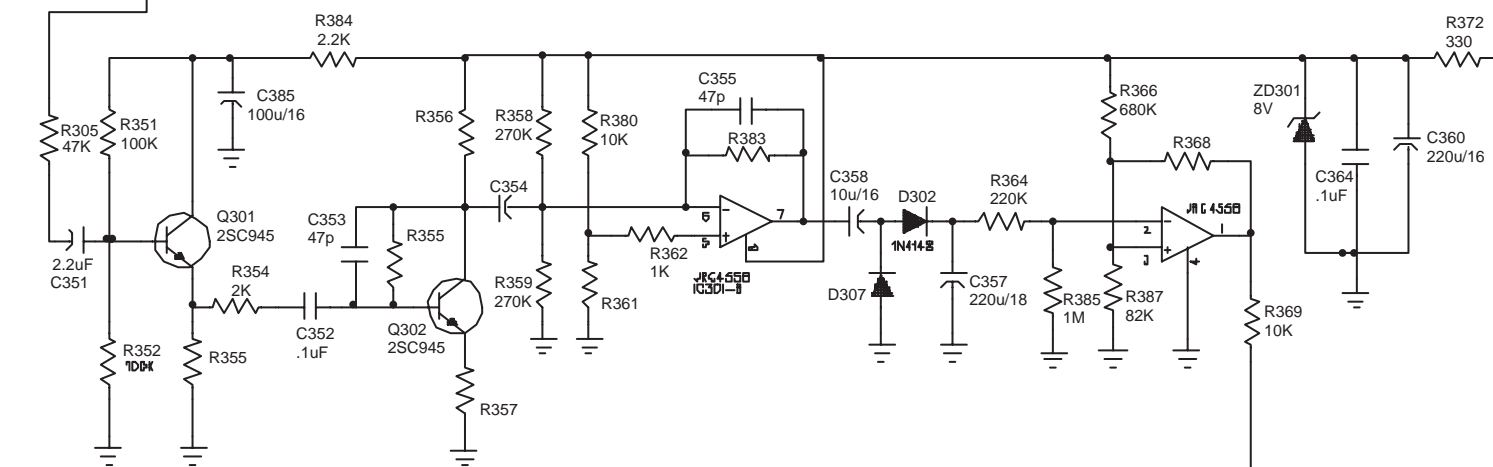
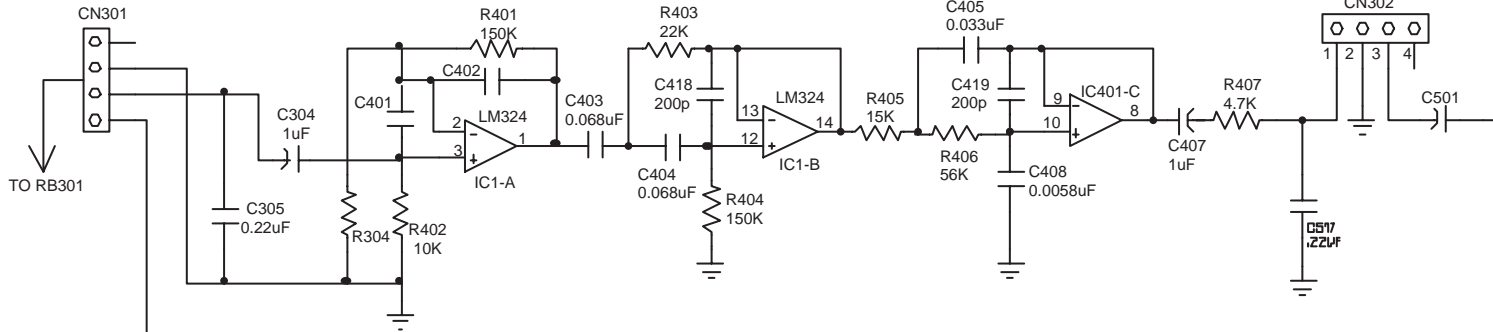
B

C

D

# SCHEMATIC DIAGRAM

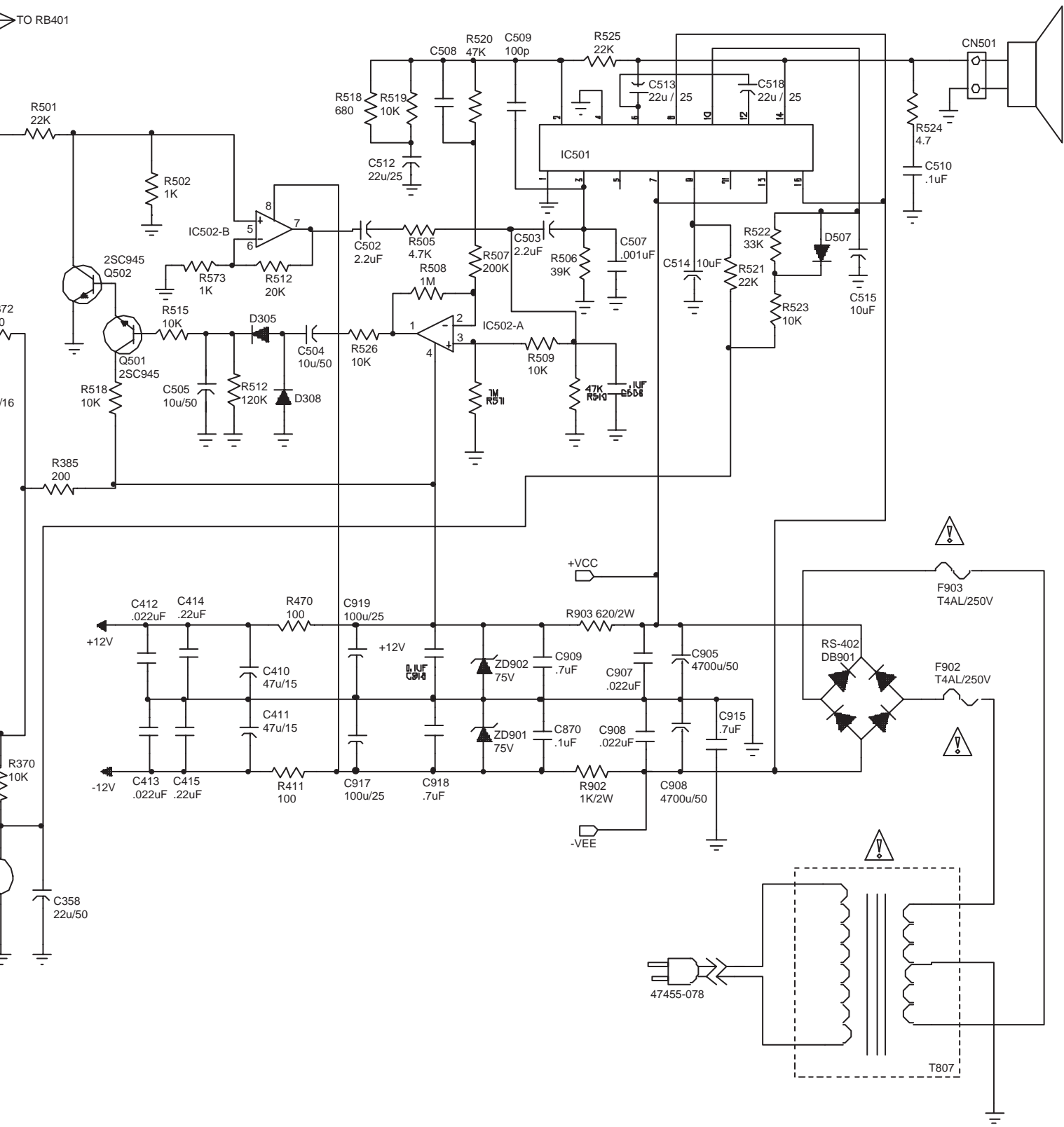
## U1 MAIN PC BOARD (LVM0199C011)



## U3 JACK PC BOARD (LVM0199C21)

## U2 VOLUME PC BOARD (LVA0222C001)

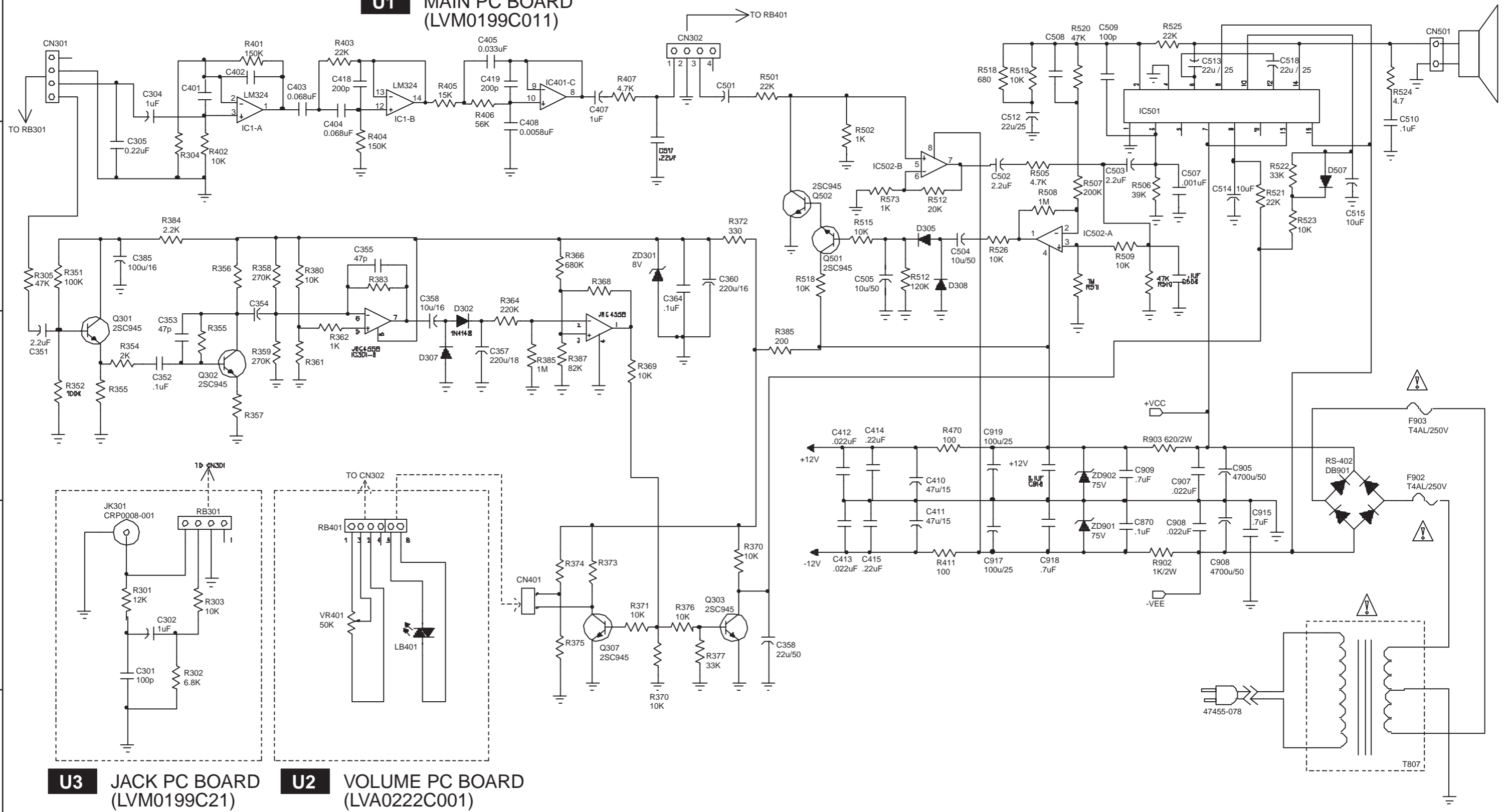
E F G H



SCHEMATIC DIAGRAM

U1 MAIN PC BOARD (LVM0199C011)

1  
2  
3  
4  
5



U3 JACK PC BOARD (LVM0199C21)

U2 VOLUME PC BOARD (LVA0222C001)

**SKS-HT200 Parts list**

Ref. No.	Description	Specification	Part No.
<b>Packing view</b>			
P1	Speaker cord	AWG #22 L=4.5m	White / Brack
P2	Speaker cord	AWG #22 L=4.5m	Red / Brack
P3	Speaker cord	AWG #22 L=3.0m	Green / Brack
P4	Speaker cord	AWG #22 L=9.0m	Blue / Brack
P5	Speaker cord	AWG #22 L=9.0m	Gray / Brack
P6	Speaker cord	AWG #22 L=9.0m	Brown / Brack
P7	Pin cable	3m MONO Black	VCR00001-0042
P10	Polyfoam	Top	ITF8302750001
P11	Polyfoam	Center	ITF8302760001
P12	Polyfoam	Bottom	ITF8302770001
P13	Carton		HT-R760(B)
P14	POLYFOAM BLOCK A	17x513x256mm	ICF830000-0250
P15	POLYFOAM BLOCK B	43x525x256mm	ICF830000-0251
	H.M. BAG	POLY BAG L1000xW720xT0.025	SKW-200
	H.M. BAG	POLY BAG L710xW460xT0.025	SKF-200F
	H.M. BAG	POLY BAG L640xW380xT0.025	SKC-200C
	H.M. BAG	POLY BAG L465xW355xT0.025	SKM-200S
<b>Satellite speaker</b>			
	Bacl label	L	SKF-200FL
	Bacl label	R	SKF-200FR
	Bacl label	C	SKC-200C
	Bacl label	L	SKM-200SL
	Bacl label	R	SKM-200SR
	Bacl label		SKM-200SR
	METAL CRAMP	HANGER PLATE	SKM-200S
			DCA5000020001
<b>Sub woofer</b>			
S1	CABINET AS	with DUCT and ACOUSTIC FELT	ANK802M95-BM10
S2	STAND BOARD		EVT81003515W0
S3	PLASTIC FOOT		BPE8000040001
S4	Logo Badge	FRONT PLATE	BPL8001230001
S5	PWR TRANS		TT11120010120
S6	AMPLIFIER	with LED CORD ASSY and AC CORD	ABNSKW200-CV01
S7	KNOB	Include in AMPLIFIER	-
S8	SCREW	4x75 for PLASTIC FOOT	NST8550514750
S9	RUBBER PAD	for PWR TRANS	ICH0800270001
S10	BRACKET	for PWR TRANS	GSE0001100003
S11	SCREW	4x25 for PWR TRANS	HSD0431033250
S12	NUT	M4 for PWR TRANS	HNT8116801300
S13	WOOFER UNIT		FSB82AC800401

For IC's and Transistor parts, please see SKW-100 parts list.



---

**ONKYO CORPORATION**

Sales & Product Planning Div. : 2-1, Nisshin-cho, Neyagawa-shi, OSAKA 572-8540, JAPAN  
Tel: 072-831-8111 Fax: 072-833-5222

**ONKYO U.S.A. CORPORATION**

18 Park Way, Upper Saddle River, N.J. 07458, U.S.A.  
Tel: 201-785-2600 Fax: 201-785-2650 E-mail: onkyo@onkyousa.com

